



**SPOT - SOLAR**  
**Photovoltaic Modules**

**Specification**  
**Sheet**

Model : S - 50

- ❑ Modules Rating : 50 Watt
- ❑ Anodized Aluminum Frame
- ❑ Weather Resistant Junction Box
- ❑ High Efficiency crystalline silicon Solar Cell
- ❑ Built-in bypass diodes in junction box
- ❑ 25 Year Limited Warranty



**S**POT SOLAR Modules are made with high efficiency solar cell. and is electrically matched to minimize losses, for making modules suitable for commercial as well as domestic applications. Sport solar modules have been tested for grid connected as well as stand - alone systems offering high performance and reliability.

The solar photovoltaic module is manufactured with crystalline solar cell conforming to the strict requirements to International quality standards. The string s laminated between sheets of ethyl vinyl acetate ( EVA)

for moisture free protection , UV stability and electrical isoation. Low iron, high transmittivity glass is Used for strength and high - power output. A high Quality back tedlar (TPT) Provides mechanical protection and Electrical insulation. Each raw material such as EVA glass, tedlar is procured from the most reliable and proven sources. The laminates are framed with a strong, robust and corrosion resistant aluminium frame with multiple mounting holes for ease of installation as customer,s requirement.

Village power

Electric fence charging

Telecommunications

Recreational

Telemetry

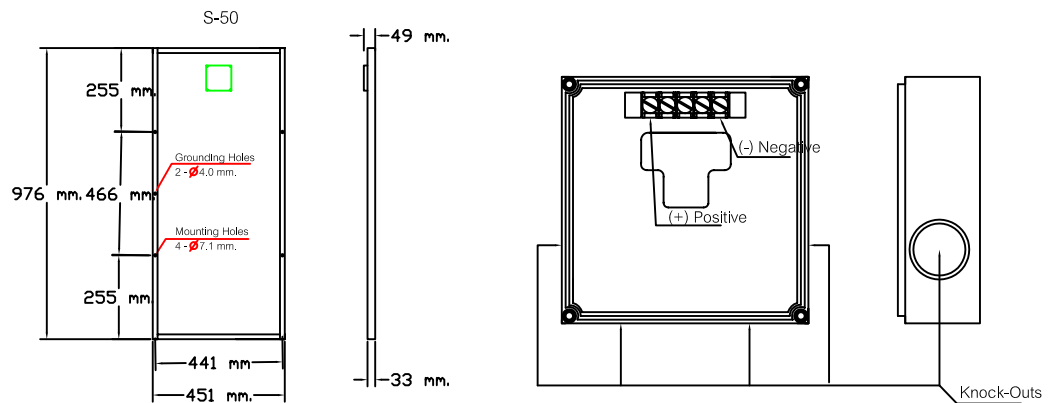
Traffic control signals

Security Lighting

Battery maintenance

Outdoor Lighting

## Dimensions



## Specifications

	S-50
Rated Power (Watts)	50
Operating Voltage (Volts)	17.1
Operating Current (Amps)	2.93
Open Circuit Voltage (Volts)	21.3
Short Circuit Current (Amps)	3.66
Normal Operating Cell Temperature, NOCT (°C)	43
Change of Voc with temp (mV/deg.C/cell)	-2.5
Maximum system voltage (Volt)	1000
Output Value Tolerance (+/-)	5 %
Weight (lbs./kgs.)	12.56/5.7

MODULE PRODUCTION BY

SOLAR POWER TECHNOLOGY CO., LTD THAILAND

711 Moo 2 Bangpa-in Industrial Estate, Tumbol Klonggijk Aumpher Bangpa-in Ayutthaya 13160

Tel. (035) 221691-7 Fax. (035) 221690 E-mail : sale@spotsolar.com Internet : <http://spotsolar.com>